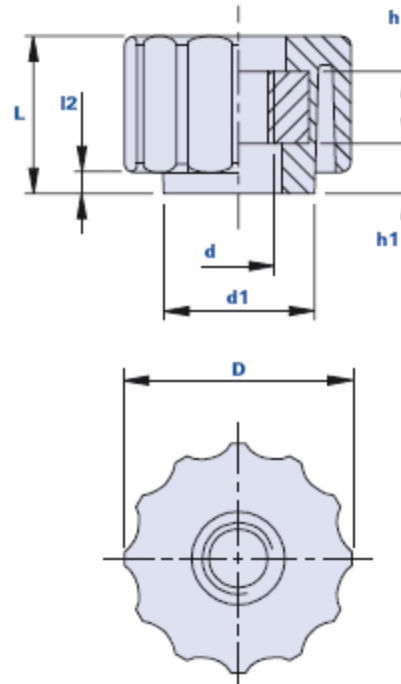


# TKF32



## Fluted grip knob with pass-through threaded bush



Code	Description	Dimensions					Insert		Weight grams	Stock
		D	L	d1	l2	h1	d	h		
01TKF32C	TKF32 M6	32	22	21	19	5	M6	10	17	√
01TKF32D	TKF32 M8	32	22	21	19	5	M8	10	17	√
01TKF32E	TKF32 M10	32	22	21	19	5	M10	10	16	√

### Material

Polyamide-based (PA) technopolymer. Resistant to organic and inorganic chemical substances such as oils, greases, fuels and solvents.

### Colour

Black with satin finish.  
Other colours for suitable quantities.

### Insert

Galvanized steel. Special inserts on design and/or in brass/stainless steel on request, for suitable quantities.

### Package

25 - 50 - 100 pcs.