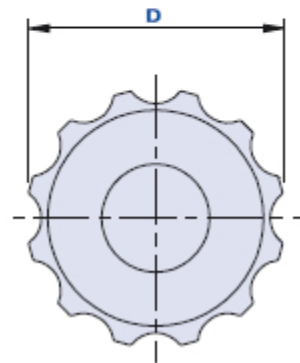
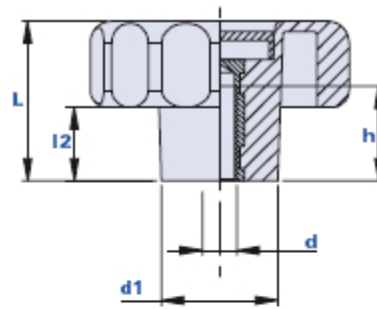


Fluted grip knob with blind threaded bush



How to order:

Example: knob code 01TMB50D with yellow cap = code 01TMB50D-G

Black cap:	Yellow cap:	Red cap:	Green cap:	Blue cap:	Orange cap:
Cod. + N	Cod. + G	Cod. + R	Cod. + V	Cod. + B	Cod. + A

Code	Description	Dimensions				Insert		Weight grams	Stock
		D	L	d1	l2	d	h		
01TMB40D	TMB 40 M8	40	24,5	21	10,5	M8	15	24	√
01TMB40C	TMB 40 M6	40	24,5	21	10,5	M6	15	26	√
01TMB40E	TMB 40 M10	40	24,5	21	10,5	M10	15	20	√
01TMB50D	TMB 50 M8	50	34	25	14,5	M8	16	38	√
01TMB50E	TMB 50 M10	50	34	25	14,5	M10	16	34	√
01TMB50F	TMB 50 M12	50	34	25	14,5	M12	16	30	√
01TMB60D	TMB 60 M8	60	37	27	17	M8	22	64	√
01TMB60E	TMB 60 M10	60	37	27	17	M10	22	60	√
01TMB60F	TMB 60 M12	60	37	27	17	M12	22	56	√

Material

Polyamide-based (PA) technopolymer. Resistant to organic and inorganic chemical substances such as oils, greases, fuels and solvents.

Colour

Black with satin finish.

Other colours for suitable quantities.

Insert

Brass. Special inserts on design and/or in stainless steel on request, for suitable quantities.

Cap on request

Cap black RAL 7021, yellow RAL 1021, red RAL 3020, green RAL 6018, blue RAL 5015, orange RAL 2004. Satin finish. Press-fit assembly.

On request, customization with other colours, logo and/or graphics, for suitable quantities.

Package

10 - 50 - 100 pcs.