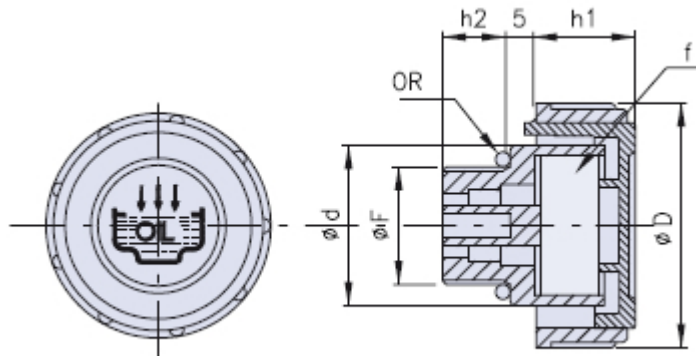


Breather plug



f = polyurethane filter

Code	Dimensions						Stock
	P	F	D	d	h1	h2	
01TMD-38	197	G 3/8"	36	23	17	11	-
01TMD-12	240	G 1/2"	41	28	18	12	-
01TMD-34	340	G 3/4"	47	33	17	12	-
01TMD-1	400	G 1"	52	38	20	12	-
01TMD-114	750	G 1 1/4"	63	49	23	13	-
01TMD-112	750	G 1 1/2"	63	55	23	13,5	-
01TMD-16.15	197	M 16x1.5	36	23	17	11	-
01TMD-18.15	217	M 18x1.5	41	28	17,5	12	-
01TMD-20.15	240	M 20x1.5	41	28	17,5	12	-
01TMD-22.15	240	M 22x1.5	41	28	17,5	12	-

Material

Plug made from thermoplastic material (Polyamide 66), ensuring a high mechanical resistance at both low and high temperature, dimensional stability and shock resistance.

Oil resistant 70 Shore O-ring rubber seal.

Description

Cylindrical-headed filler breather with vertical ribs for a better grip. Hand tightening.

These plugs enable a wide airflow through the four vents located under the thread and six vents under the grip.

It is recommended to be used on hydraulic plants or tanks containing liquids which are subject to quick volume changes, where a rapid air outlet or the recall of large air volumes are needed.

Generally the plug is not stressed by oil splashes or leakages. Airflow capacity (P) shown in the table expressed in litres/minute, measured with a pressure of 50 mbar.

Colour

Black with red lid.

Notes

The plugs are supplied, as standard equipment, with UNI fill symbol and "OIL" text. For versions 114-112 the lid is available with

GASOIL or DIESEL text, in yellow colour.

Upon request and for suitable quantities, the lid can be supplied without description or with a customized company logo.

Package

1 - 50 - 100 pcs.