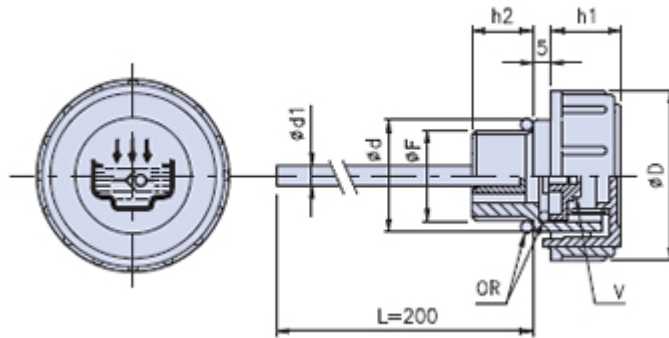


Filler breather with air vent valve and dipstick



V = One-way valve
OR = O-Ring seal

Code	Dimensions						Stock
	F	D	d	d1	h1	h2	
01TMDAV-38	G 3/8"	36	23	4	17	11	-
01TMDAV-12	G 1/2"	41	28	4	18	12	-
01TMDAV-34	G 3/4"	47	33	5	17	12	-
01TMDAV-1	G 1"	52	38	5	20	12	-
01TMDAV-114	G 1 1/4"	63	49	5	23	13	-
01TMDAV-16.15	M 16x15	36	23	4	17	11	-
01TMDAV-18.15	M 18x15	41	28	4	17,5	12	-
01TMDAV-20.15	M 20x15	41	28	4	17,5	12	-
01TMDAV-22.15	M 22x15	41	28	4	17,5	12	-

Material

Plug made from thermoplastic material (Polyamide 66) ensuring a high mechanical resistance at both low and high temperatures, dimensional stability and shock resistance.
Phosphated steel dipstick, round section.
Oil resistant 70 Shore O-Ring rubber seal.

Description

Cylindrical-headed filler breather with vertical ribs for an optimal grip. Hand tightening.
Equipped with one-way valve, it is used in applications where only an outside air discharge is needed, due to an internal overpressure.
The check valve (controlled by a spring set at 0,20-0,25 bar) allows the venting.
It also prevents the entry of impurities inside and the oil spillage outside (compatibly with the work conditions and the kind of oil which is used).
Application suggested on gear reducers, converters, multipliers, gearboxes and transmission components in general.

Colour

Black with red lid.

Notes

The plugs are supplied, as standard equipment, with "valve" graphic symbol.

Upon request and for minimum quantities of 250 pieces, we can supply different lengths and with 'min-max' notches.

Package

1 - 50 - 100 pcs.