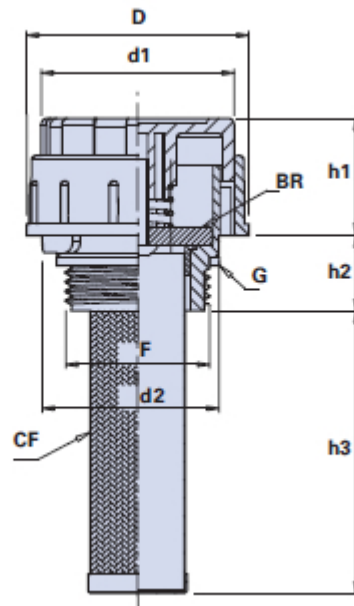


# TMDF-1-BRC



## Filler breather with strainer



BR = Bronze filter  
G = Rubber seals  
CF = Strainer

Code	Dimensions							Stock
	F	P	D	d1	h1	h2	h3	
01TMDF-1-BRC	G 1"	200	52,5	45	27	17	65	-

### Material

Plug made from thermoplastic material (Polyamide 66) ensuring a high mechanical resistance at both low and high temperatures, dimensional stability and shock resistance.

Bronze filter. Seal with (NBR) 70 Shore O-Ring located in the special seat.

Galvanized steel flange for bayonet quick coupling. Strainer manufactured from Polypropylene plastic material (PP).

### Description

Threaded breather and filler plug. For applications on medium/small tanks (25-100 Lt.), it is equipped with a sintered bronze air filter (filtration degree 30 microns) and an oil strainer basket, made from galvanized steel (300 microns). The use of the basket during the filling phase, prevents the entry of impurities inside the tank G.1" threaded end. The oil-level adjustment is made by taking off the quick release lid, situated over the body of the plug. Airflow capacity (P) shown in the table expressed in litres/minute, measured with a pressure of 50 mbar.

### Colour

Black body and lid.

### Notes

The plugs are supplied, as standard equipment, with oil fill graphic symbol.

### Package

1 - 50 - 100 pcs.



Thenar Srl - Via della Costituzione, 66 - 42015 Correggio (RE) Italy

Tel. +39 0522 740511 - Fax +39 0522 740555 - info@thenar.it - www.thenar.it

THENAR models are reserved property under the law - Non-reproducible drawings unless the source is cited.