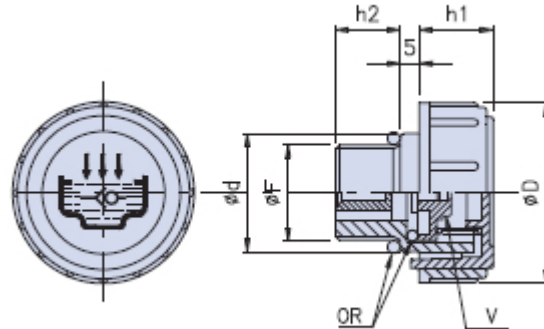


Filler breather with air vent valve



V = One-way valve
OR = O-Ring seal

Code	Dimensions							Stock
	F	P	D	d	d1	h1	h2	
01TMDV-38	G 3/8"	25	36	23	4	17	11	-
01TMDV-12	G 1/2"	80	41	28	4	18	12	-
01TMDV-34	G 3/4"	110	47	33	5	17	12	-
01TMDV-1	G 1"	240	52	38	5	20	12	-
01TMDV-114	G 1 1/4"	83	63	49	5	23	13	-
01TMDV-16.15	M 16x15	25	36	23	4	17	11	-
01TMDV-18.15	M 18x15	80	41	28	4	17,5	12	-
01TMDV-20.15	M 20x15	80	41	28	4	17,5	12	-
01TMDV-22.15	M 22x15	80	41	28	4	17,5	12	-

Material

Plug made from thermoplastic material (Polyamide 66) ensuring a high mechanical resistance at both low and high temperatures, dimensional stability and shock resistance.

Oil resistance 70 Shore O-ring rubber seal.

Description

Cylindrical-headed filler breather with vertical ribs for an optimal grip. Hand tightening. Equipped with one-way valve.

It is used in applications where an outside air discharge is needed, due to an internal overpressure.

The check valve (controlled by a spring set at 0,20-0,25 bar) allows the venting.

It also prevents the entry of impurities inside and the oil spillage outside (compatibly with the work conditions and the kind of oil which is used).

Application suggested on gear reducers, converters, multipliers, gearboxes and transmission components in general. Airflow capacity (P) shown in the table expressed in litres/minute, measured with a pressure of 300/400 mbar.

Colour

Black with red lid.

Notes

The plugs are supplied with "valve" graphic symbol, as standard equipment.

Package

1 - 50 - 100 pcs.