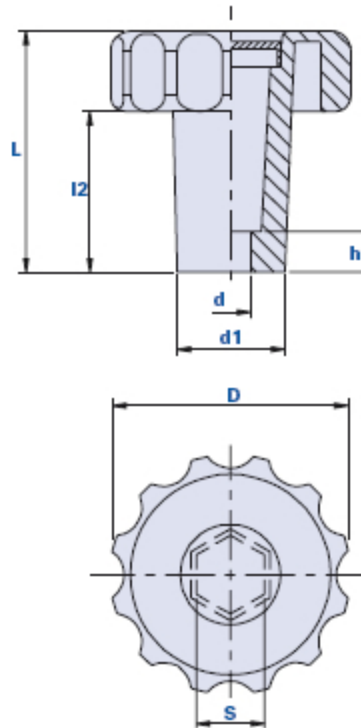


Fluted grip knob with high hub and hexagonal seat for screws and nuts



How to order knob with cap:

Example: knob code 01TMEA40CH17 with yellow cap = code 01TMEA40CH17-G

Black cap:	Yellow cap:	Red cap:	Green cap:	Blue cap:	Orange cap:
Cod. + N	Cod. + G	Cod. + R	Cod. + V	Cod. + B	Cod. + A

The code below shows the product code without cap.

Code	Description	Dimensions							Weight grams	Stock
		D	L	d1	l2	d	h	s		
01TMEA40CH17	TMEA 40 CH 17	40	65	22	45	10	10	17	23	√
01TMEA60CH17	TMEA 60 CH 17	60	60	27	40	10	10	17	48	√

Material

Polyamide-based (PA) technopolymer. Resistant to organic and inorganic chemical substances such as oils, greases, fuels and solvents.

Colour

Black with satin finish.
Other colours for suitable quantities.

Insert

Hexagonal seat.

Cap on request

Cap black RAL 7021, orange RAL 2004, yellow RAL 1021, red RAL 3020, green RAL 6018, blue RAL 5015. Satin finish. Press-fit assembly, easily removable.

On request, customization with other colours, logo and/or graphics, for suitable quantities.

Remarks

On request, the item is delivered already assembled with the insert.

Package

50 - 100 - 200 pcs.