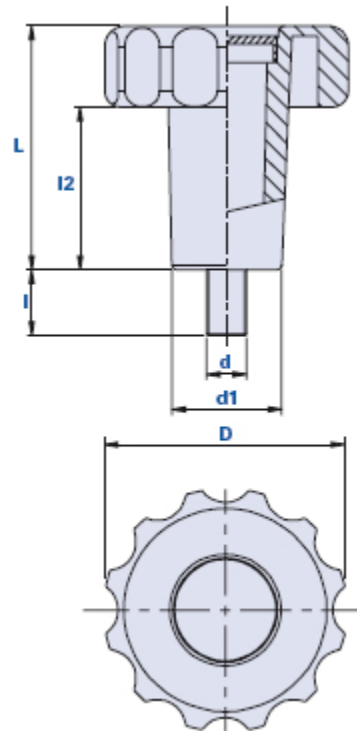


Fluted grip knob with high hub and threaded pin



How to order:

Example: knob code 01TMEP40E25 with yellow cap = code 01TMEP40E25-**G**

Black cap:	Yellow cap:	Red cap:	Green cap:	Blue cap:	Orange cap:
Cod. + N	Cod. + G	Cod. + R	Cod. + V	Cod. + B	Cod. + A

Code	Description	Dimensions				Insert		Weight grams	Stock
		D	L	d1	l2	d	l		
01TMEP4LD30...	TMEP 40 L=107 M8x30	40	107	19	87	M8	30	59	-
01TMEP40E25...	TMEP 40 M10x25	40	65	22	45	M10	25	49	-
01TMEP60E20...	TMEP 60 M10x20	60	60	27	40	M10	20	75	√
01TMEP60E35...	TMEP 60 M10x35	60	60	27	40	M10	35	79	√

Material

Polyamide-based (PA) technopolymer. Resistant to organic and inorganic chemical substances such as oils, greases, fuels and solvents.

Colour

Black with satin finish.
Other colours for suitable quantities.

Insert

Galvanized steel. Special inserts on design and/or in brass/stainless steel on request, for suitable quantities.

Cap

Cap black RAL 7021, orange RAL 2004, yellow RAL 1021, red RAL 3020, green RAL 6018, blue RAL 5015. Satin finish. Press-fit assembly.

On request, customization with other colours, logo and/or graphics, for suitable quantities.

Package

TMEP 40: minimum order quantity: 1.000 pcs., packages of 100 pcs.

TMEP 60: 50 - 100 - 200 pcs.