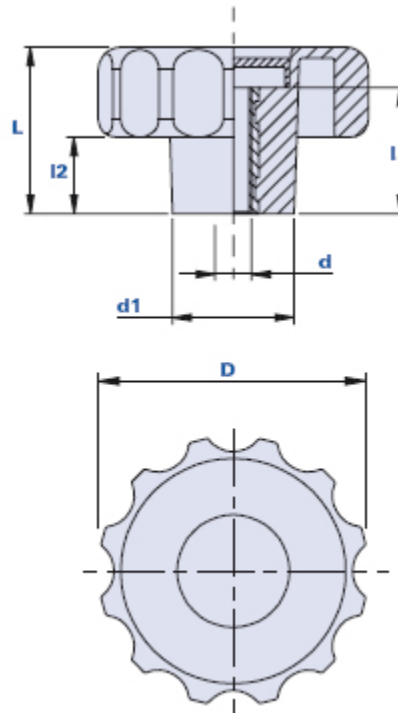


Fluted grip knob with pass-through threaded bush



How to order knob with cap:

Example: knob code 01TMF50D with yellow cap = code 01TMF50D-G

| | | | | | |
|------------|-------------|----------|------------|-----------|-------------|
| Black cap: | Yellow cap: | Red cap: | Green cap: | Blue cap: | Orange cap: |
| Cod. + N | Cod. + G | Cod. + R | Cod. + V | Cod. + B | Cod. + A |

The code below shows the product code without cap.

| Code | Description | Dimensions | | | | Insert | | Weight grams | Stock |
|----------|-------------|------------|------|----|------|--------|------|--------------|-------|
| | | D | L | d1 | l2 | d | h | | |
| 01TMF40C | TMF 40 M6 | 40 | 24,5 | 21 | 10,5 | M6 | 15 | 24 | √ |
| 01TMF40D | TMF 40 M8 | 40 | 24,5 | 21 | 10,5 | M8 | 15 | 22 | √ |
| 01TMF40E | TMF 40 M10 | 40 | 24,5 | 21 | 10,5 | M10 | 15 | 18 | √ |
| 01TMF50D | TMF 50 M8 | 50 | 34 | 25 | 14,5 | M8 | 16,5 | 36 | √ |
| 01TMF50E | TMF 50 M10 | 50 | 34 | 25 | 14,5 | M10 | 16,5 | 32 | √ |
| 01TMF50F | TMF 50 M12 | 50 | 34 | 25 | 14,5 | M12 | 16,5 | 28 | √ |
| 01TMF60D | TMF 60 M8 | 60 | 37 | 27 | 17 | M8 | 28 | 58 | √ |
| 01TMF60E | TMF 60 M10 | 60 | 37 | 27 | 17 | M10 | 28 | 64 | √ |
| 01TMF60F | TMF 60 M12 | 60 | 37 | 27 | 17 | M12 | 28 | 70 | √ |

Material

Polyamide-based (PA) technopolymer. Resistant to organic and inorganic chemical substances such as oils, greases, fuels and solvents.

Colour

Black with satin finish.
Other colours for suitable quantities.

Insert

Brass. Special inserts on design and/or in stainless steel on request for suitable quantities.

Cap on request

Bush-cover cap black RAL 7021, yellow RAL 1021, red RAL 3020, green RAL 6018, blue RAL 5015, orange RAL 2004. Satin finish.

Press-fit assembly, easily removable.

On request, customization with other colours, logo and/or graphics, for suitable quantities.

Package

10 - 50 - 100 pcs.