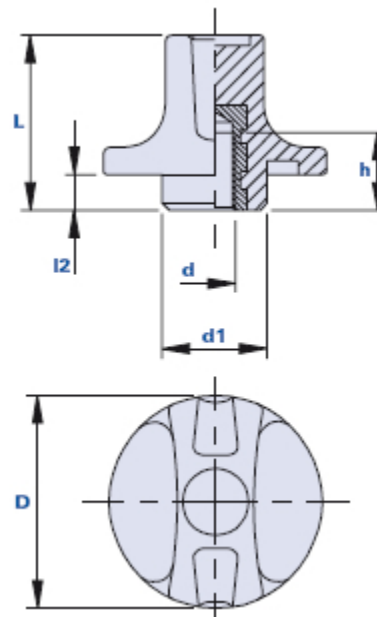


## Wing nut with blind threaded bush



Code	Description	Dimensions				Insert		Weight grams	Stock
		D	L	d1	l2	d	h		
01TNB25A	TNB25 M4	25	21,5	11,5	5	M4	8	8	-
01TNB25B	TNB25 M5	25	21,5	11,5	5	M5	8	8	√
01TNB25C	TNB25 M6	25	21,5	11,5	5	M6	8	8	√
01TNB32B	TNB32 M5	32	25	15	5	M5	11	13	-
01TNB32C	TNB32 M6	32	25	15	5	M6	11	14	√
01TNB32D	TNB32 M8	32	25	15	5	M8	11	16	√
01TNB40C	TNB40 M6	40	30	18	5	M6	16	29	√
01TNB40D	TNB40 M8	40	30	18	5	M8	16	29	√
01TNB40E	TNB40 M10	40	30	18	5	M10	16	29	√

### Material

Polyamide-based (PA) technopolymer. Resistant to organic and inorganic chemical substances such as oils, greases, fuels and solvents.

### Colour

Black with satin finish.  
Other colours for suitable quantities.

### Insert

Brass. Special inserts on design and/or in stainless steel on request, for suitable quantities.

### Remarks

Customization with logo and/or graphics, for suitable quantities.

### Package

25 - 100 - 200 pcs.