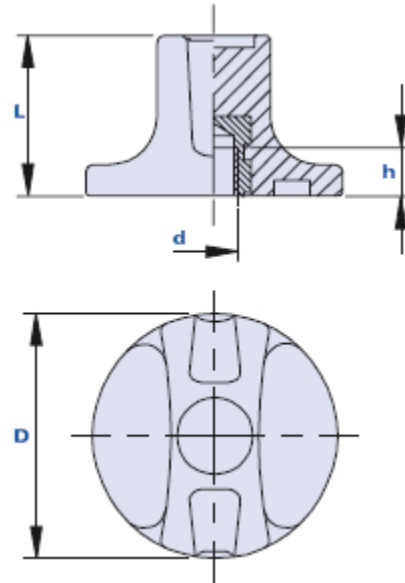


Wing nut with blind threaded bush, without hub



Code	Description	Dimensions		Insert		Weight grams	Stock
		D	L	d	h		
01TNBB32B	TNBB32 M5	32	20	M5	11	12	-
01TNBB32C	TNBB32 M6	32	20	M6	12	13	√
01TNBB32D	TNBB32 M8	32	20	M8	14	15	√

Material

Polyamide-based (PA) technopolymer. Resistant to organic and inorganic chemical substances such as oils, greases, fuels and solvents.

Colour

Black with satin finish.
Other colours for suitable quantities.

Insert

Brass. Special inserts on design and/or in stainless steel on request, for suitable quantities.

Remarks

Customization with logo and/or graphics, for suitable quantities.

Package

25 - 100 - 200 pcs.