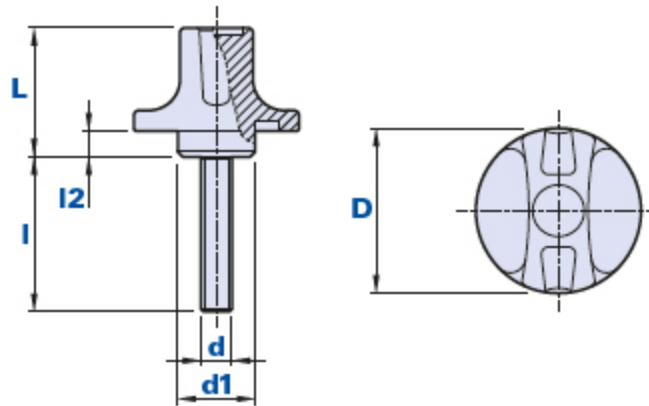


Wing nut with threaded pin



Code	Description	Dimensions				Insert		Weight grams	Stock
		D	L	d1	l2	d	l		
01TNP25B10	TNP25 M5X10	25	21,5	11,5	5	M5	10	8	√
01TNP25B15	TNP25 M5X15	25	21,5	11,5	5	M5	15	8	√
01TNP25C10	TNP25 M6X10	25	21,5	11,5	5	M6	10	10	√
01TNP25C15	TNP25 M6X15	25	21,5	11,5	5	M6	15	10	√
01TNP25C20	TNP25 M6X20	25	21,5	11,5	5	M6	20	12	√
01TNP25C25	TNP25 M6X25	25	21,5	11,5	5	M6	25	12	√
01TNP25C30	TNP25 M6X30	25	21,5	11,5	5	M6	30	19	√
01TNP25C35	TNP25 M6X35	25	21,5	11,5	5	M6	35	20	√
01TNP25C45	TNP25 M6X45	25	21,5	11,5	5	M6	45	22	√
01TNP25C50	TNP25 M6X50	25	21,5	11,5	5	M6	50	24	√
01TNP32C10	TNP32 M6X10	32	25	15	5	M6	10	17	-
01TNP32C15	TNP32 M6X15	32	25	15	5	M6	15	17	√
01TNP32C20	TNP32 M6X20	32	25	15	5	M6	20	17	√
01TNP32C30	TNP32 M6X30	32	25	15	5	M6	30	19	√
01TNP32D15	TNP32 M8X15	32	25	15	5	M8	15	21	√
01TNP32D20	TNP32 M8X20	32	25	15	5	M8	20	23	√
01TNP32D25	TNP32 M8X25	32	25	15	5	M8	25	24	√
01TNP32D30	TNP32 M8X30	32	25	15	5	M8	30	26	√
01TNP32D40	TNP32 M8X40	32	25	15	5	M8	40	29	-
01TNP40C10	TNP40 M6X10	40	30	18	5	M6	10	25	-
01TNP40C20	TNP40 M6X20	40	30	18	5	M6	20	27	√
01TNP40C30	TNP40 M6X30	40	30	18	5	M6	30	29	√
01TNP40D15	TNP40 M8X15	40	30	18	5	M8	15	32	-
01TNP40D20	TNP40 M8X20	40	30	18	5	M8	20	34	√

01TNP40D25	TNP40 M8X25	40	30	18	5	M8	25	36	√
01TNP40D35	TNP40 M8X35	40	30	18	5	M8	35	37	√

Material

Polyamide-based (PA) technopolymer. Resistant to organic and inorganic chemical substances such as oils, greases, fuels and solvents.

Colour

Black with satin finish.

Other colours for suitable quantities.

Insert

Galvanized steel. Special inserts on design and/or in brass/stainless steel on request, for suitable quantities.

Remarks

Customization with logo and/or graphics, for suitable quantities.

Package

25 - 100 - 200 pcs.