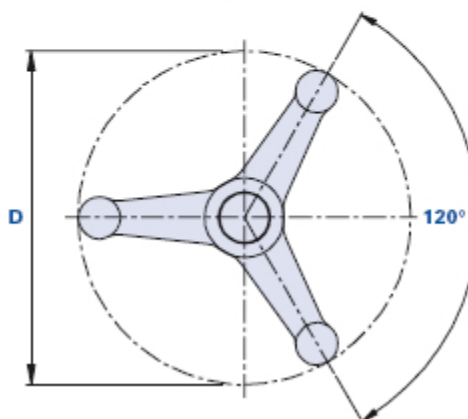
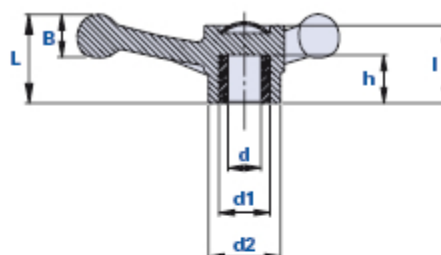


3-arm handwheel



Code	Description	Dimensions					Insert			Weight grams	Stock
		D	L	B	d2	l	dH7	h	d1		
01392E	TR 392/D.145/10	145	44	24	38	37	10	26	20	140	√
01392F	TR 392/D.145/12	145	44	24	38	37	12	26	20	140	√
01392H	TR 392/D.145/15	145	44	24	38	37	15	26	25	140	√
01392I	TR 392/D.145/16	145	44	24	38	37	16	26	25	141	√
01392L	TR 392/D.145/17	145	44	24	38	37	17	26	28	142	√
01392M	TR 392/D.145/18	145	44	24	38	37	18	26	28	144	√
01392N	TR 392/D.145/20	145	44	24	38	37	20	26	28	146	√
01492E	TR 492/D.180/10	180	48	24	39	37	10	26	20	200	√
01492H	TR 492/D.180/15	180	48	24	39	37	15	26	25	190	√
01492I	TR 492/D.180/16	180	48	24	39	37	16	26	25	180	√
01492L	TR 492/D.180/17	180	48	24	39	37	17	26	28	160	√
01492M	TR 492/D.180/18	180	48	24	39	37	18	26	28	166	√
01492N	TR 492/D.180/20	180	48	24	39	37	20	26	28	372	√
01382E	TR 382/D.220/10	220	64	30	39	48	10	38	20	228	√
01382H	TR 382/D.220/15	220	64	30	39	48	15	38	25	240	-
01382I	TR 382/D.220/16	220	64	30	39	48	16	38	25	250	√
01382L	TR 382/D.220/17	220	64	30	39	48	17	38	28	324	√
01382M	TR 382/D.220/18	220	64	30	39	48	18	38	28	342	√
01382N	TR 382/D.220/20	220	64	30	39	48	20	38	28	270	√
01382O	TR 382/D.220/22	220	64	30	39	48	22	38	28	280	-

Material

Polyamide-based (PA) technopolymer. Resistant to organic and inorganic chemical substances such as oils, greases, fuels and solvents.

Colour

Black with satin finish.
Other colours for suitable quantities.

Insert

Galvanized steel with standard blind hole with tolerance H7. On request supplied with pass-through insert.
Special inserts on design and/or in brass/stainless steel, on request for suitable quantities.

Cap

Standard cap colour black; orange RAL 2004 on request, shiny finish.
Press-fit assembly, easily removable.
On request, customization with other colours, logo and/or graphics, for suitable quantities.

Remarks

On request, for small/medium quantities, we execute threaded holes for fixing the handwheel on the shaft or keyways.

Package

1 - 5 - 10 pcs.