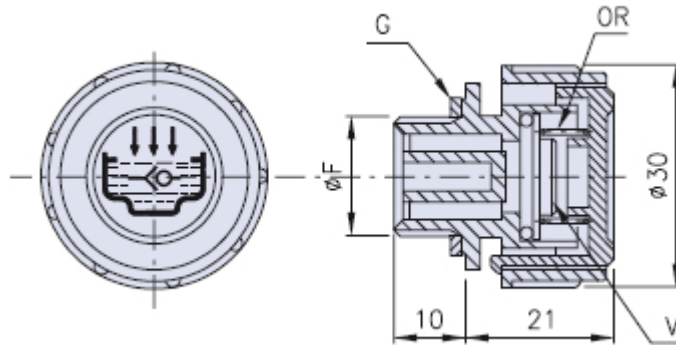


Filler breather with valve



G = Fiber gasket
V = One-way valve

Code	Dimensions		Stock
	F	P	
01TSV-14	G 1/4"	63	-
01TSV-38	G 3/8"	50	-
01TSV-12	G 1/2"	53	-

On request they are available with standard conical American threading (NPT).

Material

Plug made from thermoplastic material (Polyamide 66).
Seal with flat washer or, upon request, with O-ring, both in (NBR) 70 Shore.

Description

Cylindrical-headed filler breather with vertical ribs for an optimal grip. Manual tightening.
It is used in applications where an outside air discharge is needed, due to an internal overpressure.
The one-way valve (controlled by a spring set at 0,20-0,25 bar) allows the venting.
It also prevents the entry of impurities inside and the oil spillage outside (compatibly with the work conditions and the kind of oil which is used).
Application suggested on gear reducers, converters, multipliers, gearboxes and trasmission components in general. Airflow capacity (P) shown in the table expressed in litres/minute, measured with a pressure of 50 mbar.

Colour

Black with red lid.

Notes

The plugs are supplied with "valve" graphic symbol, as standard equipment.
For suitable quantities the lid can be customized.

Package

1 - 50 - 100 pcs.