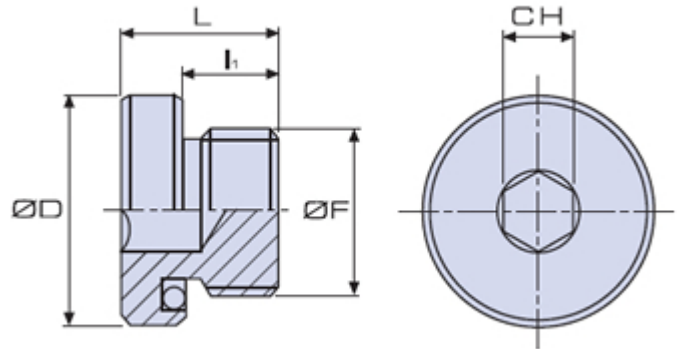


Cylindrical steel plug with internal hex and rubber seal

METAL



Code	Dimensions					Stock
	F	l1	L	D	CH	
01TTCE-18	G 1/8"	9	13	15	4	-
01TTCE-14	G 1/4"	11	6	9	6	-
01TTCE-38	G 3/8"	11	7	22	6	-
01TTCE-12	G 1/2"	14	20	27	8	-
01TTCE-34	G 3/4"	14	20	32	12	-
01TTCE-1	G 1"	16	22	40	12	-
01TTCE-114	G 1 1/4"	18	25	50	12	-
01TTCE-112	G 1 1/2"	17	24	55	24	-
01TTCE-2	G 2"	17	24	70	32	-
01TTCE-10.1	M 10x1	8	12	14	5	-
01TTCE-12.15	M 12x15	10	16	17	6	-
01TTCE-14.15	M 14x15	10	16	19	6	-
01TTCE-16.15	M 16x15	10	16	22	6	-
01TTCE-18.15	M 18x15	11	17	25	6	-
01TTCE-20.15	M 20x15	12	18	27	8	-
01TTCE-22.15	M 22x15	12	18	28	8	-
01TTCE-26.15	M 26x15	13,5	20	32	12	-
01TTCE-27.2	M 27x2	13,5	20	32	12	-
01TTCE-33.2	M 33x2	15	21	40	17	-
01TTCE-42.2	M 42x2	17	24	50	22	-
01TTCE-48.2	M 48x2	17	24	55	24	-

Material

Leaded steel AVP 11SMnPb37.

Description

Cylindrical steel plug with internal hex and rubber seal.

Notes

Max. working pressure 70 bar in static applications.

Package

TTCE-114/112/2/26.15/27.2/33.2/42.2/48.2: 25 pcs.

TTCE-34/1: 50 pcs.

TTCE-18/14/38/12/10.1/12.15/14.15/16.15/18.15/20.15/22.15: 100 pcs.