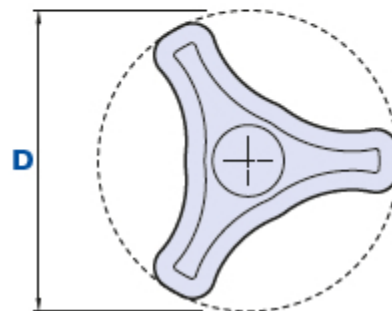
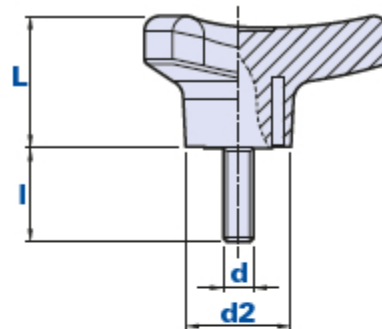


3-arm knob with threaded pin



Code	Description	Dimensions				Insert		Weight grams	Stock
		D	L	d2	l2	d	l		
01TTP45C20	TTP 45 M6X20	45	24	17	17	M6	20	19	√
01TTP45D25	TTP 45 M8X25	45	24	17	17	M8	25	23	√
01TTP60D25	TTP 60 M8X25	60	27	21	18	M8	25	33	√
01TTP80D25	TTP 80 M8X25	80	35	28	23	M8	25	51	√
01TTP80E30	TTP 80 M10X30	80	35	28	23	M10	30	64	√
01TTP80F30	TTP 80 M12X30	80	35	28	23	M12	30	72	√
01TTP80F40	TTP 80 M12X40	80	35	28	23	M12	40	90	-

Material

Polyamide-based (PA) technopolymer. Resistant to organic and inorganic chemical substances such as oils, greases, fuels and solvents.

Colour

Black with satin finish.
Other colours for suitable quantities.

Insert

Galvanized steel. Special inserts on design and/or in brass/stainless steel on request, for suitable quantities.

Remarks

Customization with logo and/or graphics, for suitable quantities.

Package

10 - 50 - 100 pcs.



Thenar Srl - Via della Costituzione, 66 - 42015 Correggio (RE) Italy

Tel. +39 0522 740511 - Fax +39 0522 740555 - info@thenar.it - www.thenar.it

THENAR models are reserved property under the law - Non-reproducible drawings unless the source is cited.