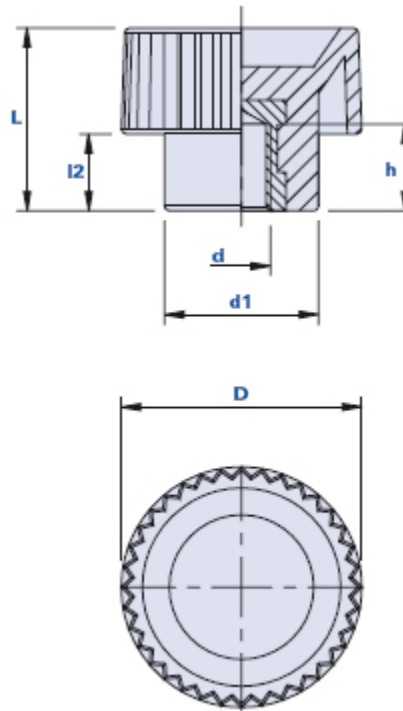


Knurled grip knob with blind threaded bush



Code	Description	Dimensions				Insert		Peso grammi	Stock
		D	L	d1	l2	d	h		
01TZB25B	TZB 25 M5	25	19	16	8	M5	9	9	√
01TZB25C	TZB 25 M6	25	19	16	8	M6	9	9	√
01TZB25D	TZB 25 M8	25	19	16	8	M8	9	9	√
01TZB32C	TZB 32 M6	32	22	17	9	M6	11	11	-
01TZB32D	TZB 32 M8	32	22	17	9	M8	11	12	-
01TZB32E	TZB 32 M10	32	22	17	9	M10	11	12	-

Material

Polyamide-based (PA) technopolymer. Resistant to organic and inorganic chemical substances such as oils, greases, fuels and solvents.

Colour

Black with satin finish.
Other colours for suitable quantities.

Insert

Brass. Special inserts on design and/or in stainless steel on request, for suitable quantities.

Package

25 - 100 - 200 pcs.