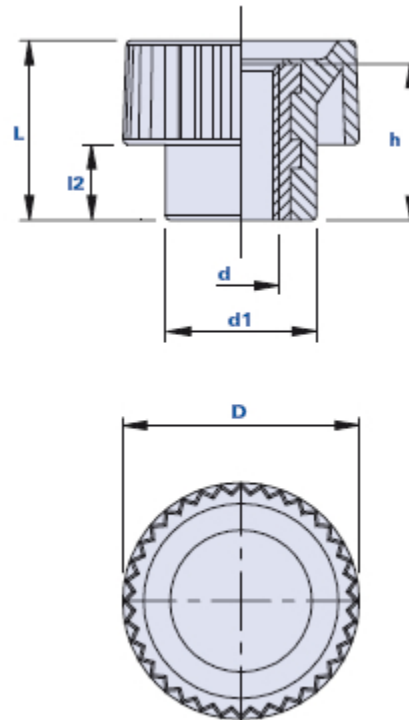


Knurled grip knob with pass-through threaded bush



Code	Description	Dimensions				Insert		Peso grammi	Stock
		D	L	d1	l2	d	h		
01TZF25B	TZF 25 M5	25	19	16	8	M5	14,5	11	√
01TZF25C	TZF 25 M6	25	19	16	8	M6	14,5	11	√
01TZF25D	TZF 25 M8	25	19	16	8	M8	14,5	12	√
01TZF32C	TZF 32 M6	32	22	17	9	M6	16,5	12	√
01TZF32D	TZF 32 M8	32	22	17	9	M8	16,5	12	√
01TZF32E	TZF 32 M10	32	22	17	9	M10	16,5	12	√

Material

Polyamide-based (PA) technopolymer. Resistant to organic and inorganic chemical substances such as oils, greases, fuels and solvents.

Colour

Black with satin finish.
Other colours for suitable quantities.

Insert

Brass.
Special inserts on design and/or in stainless steel on request, for suitable quantities.

Package

25 - 100 - 200 pcs.