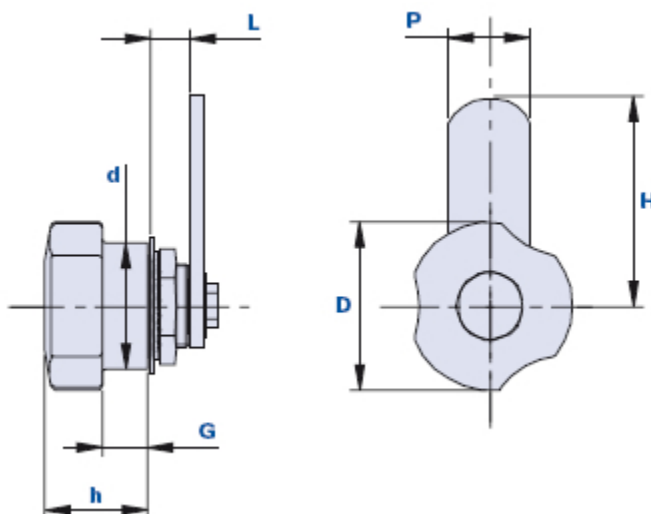


V40SC



3-lobe closing knob without lock



How to order:

Example: knob code **014S001** with yellow cap = code 014S001-**G** - Code **S001**...refers to **knob with flat cam**

Example: knob code **014S002** with yellow cap = code 014S002-**G** - Code **S002**...refers to **knob with curved cam (to facilitate the closing)**

Example: knob code **014S003** with yellow cap = code 014S003-**G** - Code **S003**...refers to **knob with L-shaped cam**

Black cap:	Yellow cap:	Red cap:	Green cap:	Blue cap:	Orange cap:
Cod. + N	Cod. + G	Cod. + R	Cod. + V	Cod. + B	Cod. + A

Code	Description	Dimensions							Weight grams	Stock
		D	h	d	L	G	P	H		
014S001 ...	V40SC - DX/SX	40	25	30	10	11	20	50	104	√
014S002 ...	V40SC - DX/SX	40	25	30	10	11	20	50	104	√
014S003 ...	V40SC - DX/SX	40	25	30	20	11	20	50	106	√

Material

Polyamide-based (PA) technopolymer. Resistant to organic and inorganic chemical substances such as oils, greases, fuels and solvents.

Colour

Black with satin finish. Other colours for suitable quantities.

Cap

Cap black RAL 7021, yellow RAL 1021, red RAL 3020, green RAL 6018, blue RAL 5015, orange RAL 2004. Satin finish. Press-fit assembly.

On request, customization with other colours, logo and/or graphics, for suitable quantities.



Thenar Srl - Via della Costituzione, 66 - 42015 Correggio (RE) Italy

Tel. +39 0522 740511 - Fax +39 0522 740555 - info@thenar.it - www.thenar.it

THENAR models are reserved property under the law - Non-reproducible drawings unless the source is cited.

Supply conditions

The knob is supplied with all the accessories for the assembly, including the washer to weld on to the sheet.

Closure cam

Galvanized steel.

Closure

Movement of the knob of 90° to the right (DX) or to the left (SX) (see drawings).

Package

1 pcs.