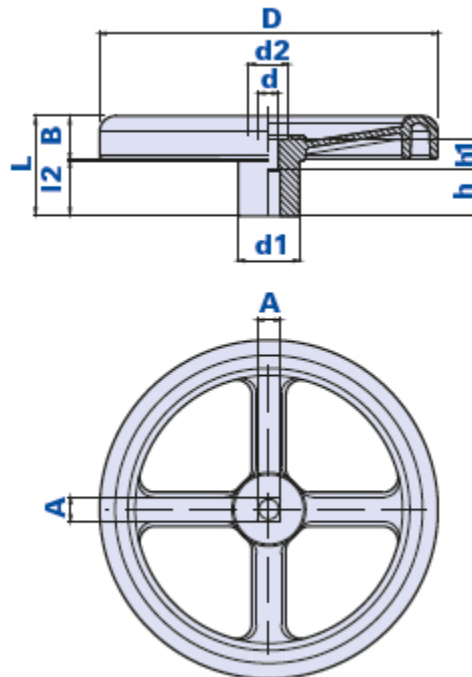


V4RQ



Handwheel with 4 spokes



Code	Description	Dimensions							Hole		Weight grams	Stock	
		D	L	B	d1	d2	l2	d	h1	AxA			h
01V4R22HH	V4RQ D.220 AxA=15X15	220	65	28	40	26	36	13	19,5	15x15	30	402	-

Material

Polyamide-based (PA) technopolymer. Resistant to organic and inorganic chemical substances such as oils, greases, fuels and solvents.

Colour

Black with satin finish. Other colours for suitable quantities.

Package

100 pcs.