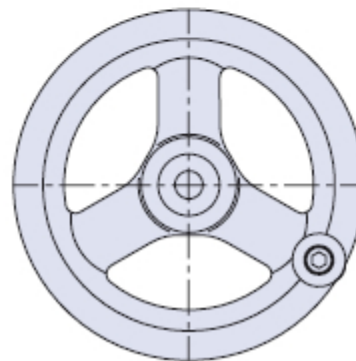
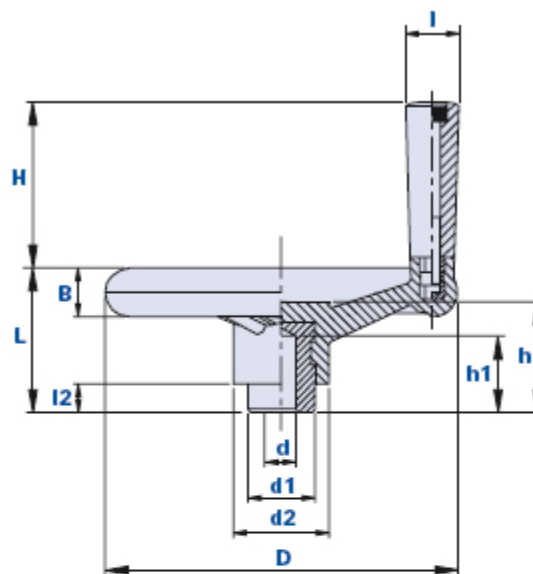


Spoked handwheel with fixed revolving handgrip



| Code | Description | Dimensions | | | | | | Insert | | | Handgrip | | Weight grams | Stock |
|---------|-------------|------------|----|----|----|----|----|--------|----|----|----------|----|--------------|-------|
| | | D | L | B | d2 | l2 | h | dH7 | h1 | d1 | H | l | | |
| 01VM10D | VM10/8 | 100 | 45 | 16 | 32 | 10 | 36 | 8 | 26 | 24 | 45 | 19 | 223 | √ |
| 01VM12E | VM12/10 | 125 | 51 | 17 | 34 | 10 | 39 | 10 | 26 | 24 | 55 | 19 | 264 | √ |
| 01VM12M | VM12/16 | 125 | 51 | 17 | 34 | 10 | 39 | 16 | 25 | 24 | 55 | 19 | 248 | √ |
| 01VM15F | VM15/11 | 150 | 61 | 21 | 38 | 13 | 50 | 11 | 33 | 28 | 65 | 23 | 452 | √ |
| 01VM15M | VM15/16 | 150 | 61 | 21 | 38 | 13 | 50 | 16 | 33 | 28 | 65 | 23 | 452 | √ |
| 01VM15O | VM15/18 | 150 | 61 | 21 | 38 | 13 | 50 | 18 | 33 | 28 | 65 | 23 | 452 | √ |
| 01VM15Q | VM15/20 | 150 | 61 | 21 | 38 | 13 | 50 | 20 | 33 | 28 | 65 | 23 | 428 | √ |
| 01VM17F | VM17/11 | 175 | 65 | 22 | 43 | 15 | 52 | 11 | 33 | 28 | 80 | 28 | 544 | √ |
| 01VM17M | VM17/16 | 175 | 65 | 22 | 43 | 15 | 52 | 16 | 33 | 28 | 80 | 28 | 560 | √ |
| 01VM17Q | VM17/20 | 175 | 65 | 22 | 43 | 15 | 52 | 20 | 33 | 28 | 80 | 28 | 574 | √ |
| 01VM20F | VM20/11 | 200 | 83 | 23 | 48 | 18 | 65 | 11 | 46 | 35 | 80 | 28 | 696 | √ |
| 01VM20O | VM20/18 | 200 | 83 | 23 | 48 | 18 | 65 | 18 | 44 | 35 | 80 | 28 | 674 | - |
| 01VM20Q | VM20/20 | 200 | 83 | 23 | 48 | 18 | 65 | 20 | 44 | 35 | 80 | 28 | 670 | √ |

Material

High resistance phenolc-based (PF) duroplast. Resistant to organic and inorganic chemical substances such as oils, greases, fuels and solvents.

Colour

Black with shiny finish.

Insert

Galvanized steel with standard blind hole with tolerance H7.

Special inserts on design and/or in brass/stainless steel, on request for suitable quantities.

Remarks

On request, for small/medium quantities, we execute threaded holes for fixing the handwheel on the shaft or keyways.

Package

1 - 5 - 10 pcs.