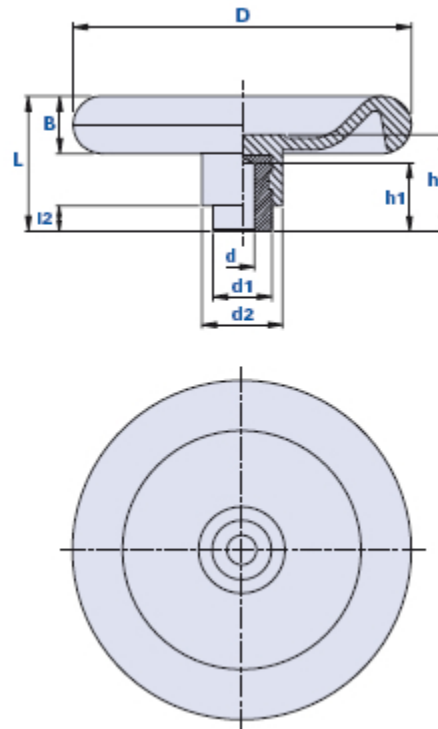


Disc-shaped handwheel



Code	Description	Dimensions						Insert			Weight grams	Stock
		D	L	B	d2	l2	h	dH7	h1	d1		
01VP10D	VP10/8	100	47	15	33	12	35	8	26	24	194	√
01VP15F	VP15/11	150	65	30	40	13	50	11	33	28	550	√
01VP15M	VP15/16	150	65	30	40	13	50	16	33	28	568	√
01VP20F	VP20/11	200	80	34	48	15	60	11	46	35	1.017	√
01VP20I	VP20/14	200	80	34	48	15	60	14	46	35	1.000	√
01VP20Q	VP20/20	200	80	34	48	15	60	20	44	35	960	-
01VP25I	VP25/14	250	86	38	54	19	60	14	44	35	1.390	-
01VP25Q	VP25/20	250	86	38	54	19	60	20	44	35	1.330	-
01VP25V	VP25/25	250	86	38	54	19	60	25	43	35	1.280	√

Material

High resistance phenolyc-based (PF) duroplast. Resistant to organic and inorganic chemical substances such as oils, greases, fuels and solvents.

Colour

Black with shiny finish.

Insert

Galvanized steel with standard blind hole with tolerance H7.

Remarks

On request we execute threaded holes for fixing the handwheel on the shaft or keyways.

Package

Minimum order quantity: 100 pcs., packages of 5 pcs.



Thenar Srl - Via della Costituzione, 66 - 42015 Correggio (RE) Italy

Tel. +39 0522 740511 - Fax +39 0522 740555 - info@thenar.it - www.thenar.it

THENAR models are reserved property under the law - Non-reproducible drawings unless the source is cited.