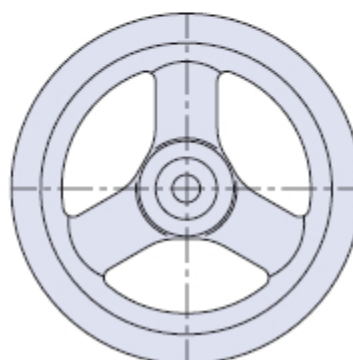
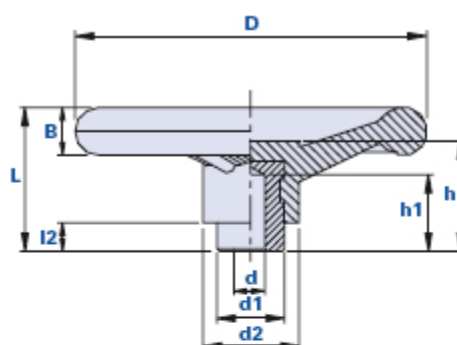


## Spoked handwheel



Code	Description	Dimensions						Insert			Weight grams	Stock
		D	L	B	d2	I2	h	dH7	h1	d1		
01VR10D	VR10/8	100	45	16	32	10	36	8	26	24	186	√
01VR12E	VR12/10	125	51	17	34	10	39	10	26	24	236	√
01VR12F	VR12/12	125	51	17	34	10	39	12	26	24	236	√
01VR12M	VR12/16	125	51	17	34	10	39	16	25	24	274	√
01VR15F	VR15/11	150	61	21	38	13	50	11	33	28	390	√
01VR15M	VR15/16	150	61	21	38	13	50	16	33	28	400	√
01VR15Q	VR15/20	150	61	21	38	13	50	20	33	28	420	√
01VR17F	VR17/11	175	65	22	43	15	52	11	33	28	520	√
01VR17M	VR17/16	175	65	22	43	15	52	16	33	28	570	√
01VR17Q	VR17/20	175	65	22	43	15	52	20	33	28	572	-
01VR20F	VR20/11	200	83	23	48	18	65	11	46	35	816	√
01VR20O	VR20/18	200	83	23	48	18	65	18	44	35	880	-
01VR20Q	VR20/20	200	83	23	48	18	65	20	44	35	883	√

### Material

High resistance phenolyc-based (PF) duroplast. Resistant to organic and inorganic chemical substances such as oils, greases, fuels and solvents.

### Colour

Black with shiny finish.

**Insert**

Galvanized steel with standard blind hole with tolerance H7.

Special inserts on design and/or in brass/stainless steel, on request for suitable quantities.

**Remarks**

On request, for small/medium quantities, we execute threaded holes for fixing the handwheel on the shaft or keyways.

**Package**

1 - 5 - 10 pcs.