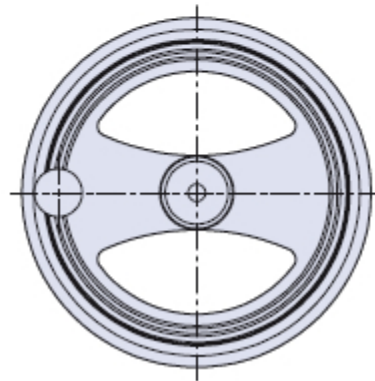
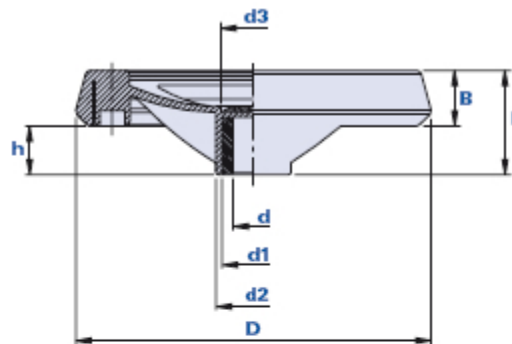


Diametrical band handwheel



Code	Description	Dimensions					Insert			Weight grams	Stock
		D	L	B	d2	d3	dH7	h	d1		
01402E	VS 402/D.120/10	120	40	19	25	19	10	20	20	146	√
01402F	VS 402/D.120/12	120	40	19	25	19	12	20	20	138	√
01402G	VS 402/D.120/14	120	40	19	25	19	14	20	23	130	√
01402H	VS 402/D.120/15	120	40	19	25	19	15	20	23	124	-
01402I	VS 402/D.120/16	120	40	19	25	19	16	20	23	116	√
01412E	VS 412/D.160/10	160	47	25	34	29	10	26	20	310	√
01412F	VS 412/D.160/12	160	47	25	34	29	12	26	20	304	-
01412G	VS 412/D.160/14	160	47	25	34	29	14	26	25	290	√
01412H	VS 412/D.160/15	160	47	25	34	29	15	26	25	280	√
01412I	VS 412/D.160/16	160	47	25	34	29	16	26	25	270	√
01412L	VS 412/D.160/17	160	47	25	34	29	17	26	28	264	-
01412M	VS 412/D.160/18	160	47	25	34	29	18	26	28	272	√
01412N	VS 412/D.160/20	160	47	25	34	29	20	26	28	270	√
01412O	VS 412/D.160/19	160	47	25	34	29	19	26	28	270	-
01412S	VS 412/D.160/25	160	47	25	34	29	25	26	30	250	-
01422E	VS 422/D.200/10	200	56	29	40	29	10	26	20	428	√
01422F	VS 422/D.200/12	200	56	29	40	29	12	26	20	416	√
01422G	VS 422/D.200/14	200	56	29	40	29	14	26	25	406	-
01422H	VS 422/D.200/15	200	56	29	40	29	15	26	25	446	√

01422I	VS 422/D.200/16	200	56	29	40	29	16	26	25	450	√
01422L	VS 422/D.200/17	200	56	29	40	29	17	26	28	430	√
01422M	VS 422/D.200/18	200	56	29	40	29	18	26	28	426	√
01422O	VS 422/D.200/19	200	56	29	40	29	19	26	28	442	-
01422N	VS 422/D.200/20	200	56	29	40	29	20	26	28	442	√
01422S	VS 422/D.200/25	200	56	29	40	29	25	26	30	432	-

Material

Polyamide-based (PA) technopolymer. Resistant to organic and inorganic chemical substances such as oils, greases, fuels and solvents.

Colour

Black with satin finish.

Other colours for suitable quantities.

Insert

Galvanized steel with standard blind hole with tolerance H7.

On request supplied with pass-through insert.

Special inserts on design and/or in brass/stainless steel, on request for suitable quantities.

Cap

Standard cap colour orange RAL 2004, black on request, shiny finish.

Press-fit assembly, easily removable.

On request, customization with other colours, logo and/or graphics, for suitable quantities.

Remarks

On request, for small/medium quantities, we execute threaded holes for fixing the handwheel on the shaft or keyways.

Package

1 - 5 - 10 pcs.