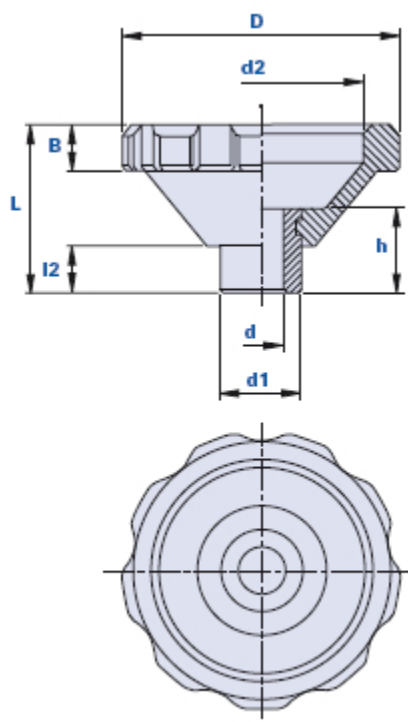


Lobed handwheel



Code	Description	Dimensions				Insert				Weight grams	Stock
		D	L	B	d2	dH7	h	d1	l2		
01VS1E	VS1/D.96/10	96	58	16	71	10	29	28	16	219	-
01VS1M	VS1/D.96/16	96	58	16	71	16	29	28	16	250	√

Material

High resistance phenolyc-based (PF) duroplast. Resistant to organic and inorganic chemical substances such as oils, greases, fuels and solvents.

Colour

Black with shiny finish.

Insert

Galvanized steel with standard pass-through hole with tolerance H7.

Package

Minimum order quantity: 100 pcs., packages of 10 pcs.