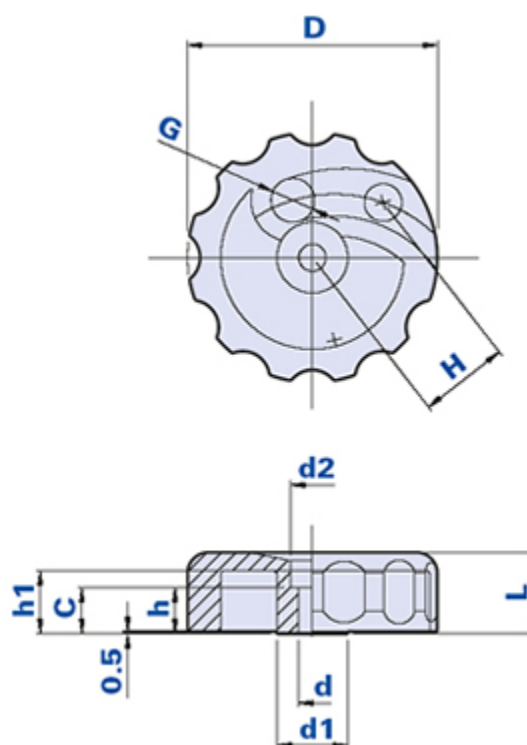
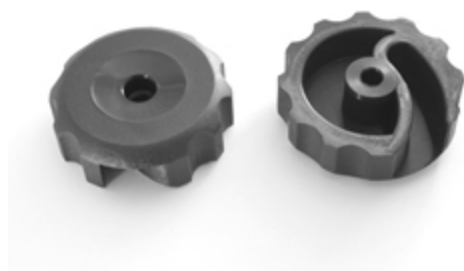


## Eccentric clamping handwheel



Code	Description	Dimensions						Hole				Weight grams	Stock
		D	L	H	C	d1	d2	d	h	G	h1		
1052EC600600	1052EC D.6,5	60	19,5	21,5	11	17	10,5	6,5	11	11	15	30,8	-

### Material

Polyamide-based (PA) technopolymer. Resistant to organic and inorganic chemical substances such as oils, greases, fuels and solvents.

### Colour

Black.

### Assembly

With screw M6.

### Package

50 - 100 pcs.