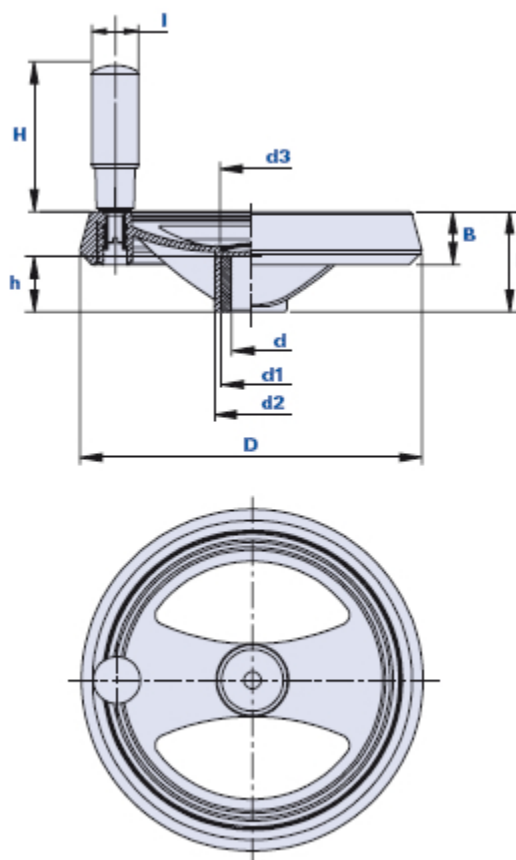


## Diametrical band handwheel with fixed revolving handgrip



Code	Description	Dimensions					Insert			Handgrip		Weight grams	Stock
		D	L	B	d2	d3	dH7	h	d1	H	l		
01432E	VSI 432/D.120/10	120	40	19	25	19	10	20	20	65	22	214	√
01432F	VSI 432/D.120/12	120	40	19	25	19	12	20	20	65	22	211	√
01432G	VSI 432/D.120/14	120	40	19	25	19	14	20	23	65	22	218	√
01432H	VSI 432/D.120/15	120	40	19	25	19	15	20	23	65	22	205	√
01432I	VSI 432/D.120/16	120	40	19	25	19	16	20	23	65	22	213	√
01442E	VSI 442/D.160/10	160	47	25	34	29	10	26	20	65	22	348	√
01442F	VSI 442/D.160/12	160	47	25	34	29	12	26	20	65	22	326	√
01442G	VSI 442/D.160/14	160	47	25	34	29	14	26	25	65	22	348	√
01442H	VSI 442/D.160/15	160	47	25	34	29	15	26	25	65	22	342	√
01442I	VSI 442/D.160/16	160	47	25	34	29	16	26	25	65	22	344	√
01442L	VSI 442/D.160/17	160	47	25	34	29	17	26	28	65	22	336	√
01442M	VSI 442/D.160/18	160	47	25	34	29	18	26	28	65	22	348	-
01442O	VSI 442/D.160/19	160	47	25	34	29	19	26	28	65	22	340	-
01442N	VSI 442/D.160/20	160	47	25	34	29	20	26	28	65	22	336	√
01442S	VSI 442/D.160/25	160	47	25	34	29	25	26	30	65	22	320	-
01452E	VSI 452/D.200/10	200	56	29	40	29	10	26	20	70	26	506	√
01452F	VSI 452/D.200/12	200	56	29	40	29	12	26	20	70	26	498	-

<b>01452G</b>	VSI 452/D.200/14	200	56	29	40	29	14	26	25	70	26	494	√
<b>01452H</b>	VSI 452/D.200/15	200	56	29	40	29	15	26	25	70	26	524	√
<b>01452I</b>	VSI 452/D.200/16	200	56	29	40	29	16	26	25	70	26	530	√
<b>01452L</b>	VSI 452/D.200/17	200	56	29	40	29	17	26	28	70	26	506	-
<b>01452M</b>	VSI 452/D.200/18	200	56	29	40	29	18	26	28	70	26	494	-
<b>01452O</b>	VSI 452/D.200/19	200	56	29	40	29	19	26	28	70	26	502	-
<b>01452N</b>	VSI 452/D.200/20	200	56	29	40	29	20	26	28	70	26	510	√
<b>01452S</b>	VSI 452/D.200/25	200	56	29	40	29	25	26	30	70	26	498	-

#### Material

Polyamide-based (PA) technopolymer. Resistant to organic and inorganic chemical substances such as oils, greases, fuels and solvents.

#### Colour

Black with satin finish.

Other colours for suitable quantities.

#### Insert

Galvanized steel with standard blind hole with tolerance H7.

On request supplied with pass-through insert.

Special inserts on design and/or in brass/stainless steel, on request for suitable quantities.

#### Cap

Standard cap colour orange RAL 2004, black on request, shiny finish. Press-fit assembly, easily removable.

On request, customization with other colours, logo and/or graphics, for suitable quantities.

#### Remarks

On request, for small/medium quantities, we execute threaded holes for fixing the handwheel on the shaft or keyways.

#### Package

1 - 5 - 10 pcs.