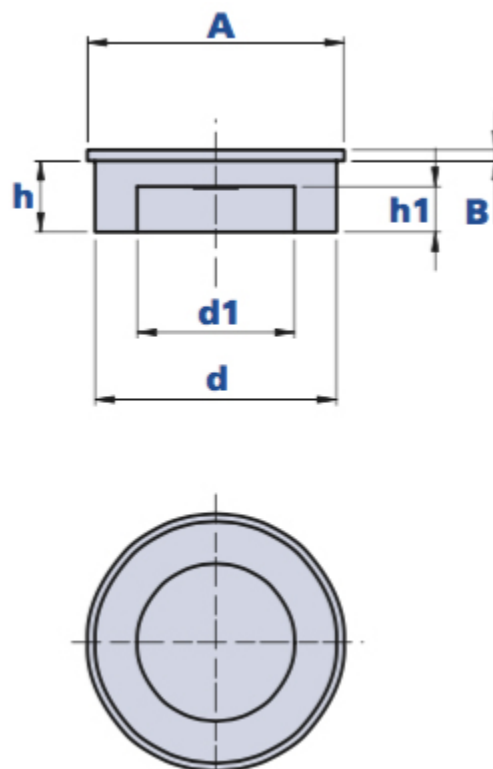


## Dowel for work bench



Code	Description	Dimensions						Weight grams	Stock
		A	B	d1	h1	d	h		
01VTASP-N	VTASP D. 44	47	2,2	29	8	44	12,5	25,3	√

### Material

High resistance phenolc-based (PF) duroplast. Resistant to organic and inorganic chemical substances such as oils, greases, fuels and solvents.

### Colour

Black with shiny finish.

### Package

100 pcs.