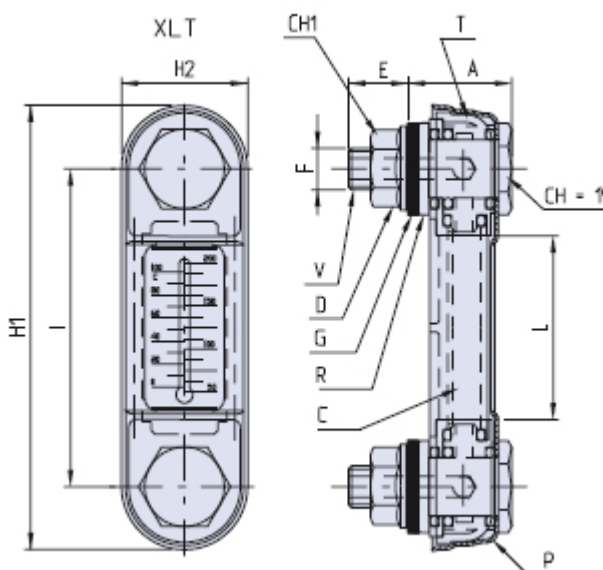


Vertical level gauge with metal casing and thermometer



- V=Hollow bolt
- C=Transparent body
- D=Flanged hex nut
- T=Transparent head
- R=External metal washer
- G=Extra flat seal "Klingersil"
- P=Metal shell

Dimensions

Code	I	H1	H2	F	E	A	L	CH1	ØF1	Stock
01XL/03T/M10	76	107	31	M10	17	21	39	10	10,2	-
01XL/03T/M12	76	107	31	M12	20	21	39	12	12,2	-
01XL/05T/M10	127	156	31	M10	17	21	90	10	10,2	-
01XL/05T/M12	127	156	31	M12	20	21	90	12	12,2	-
01XL/10T/M12	254	286	33	M12	18	32	200	12	12,2	-

Material

Transparent polyamide resin, with high mechanical performances and resistant to most chemical agents, oil, gasoline, fuel and a variety of solvents.

Internal screen made from white lacquered aluminium.

Description

Vertical oil level indicator with metal protection. Used in oil tanks, fuel and hydraulic fluid power units. It enables a good visibility, from both sides. Its transparent body remains intact under light and most climatic conditions.

The body is made by ultrasonic welding of the two transparent halves.

Inside the level gauge is fitted a white screen with minimum and maximum level indication. The seal is guaranteed by O-ring and rear flat gasket, in NBR 70 Shore.

This model gives the possibility to check, at the same time, the fluid level and the temperature by means of a thermometer fixed to the internal aluminium screen, scaled in degrees 0-100°C/50-200°F.

Assembly

The assembly can be made externally (by providing 2 threaded holes M10 or M12 on 76/127 mm centre distance, tolerance $\pm 0,3\text{mm}$), or internally by means of the flanged nut, provided with the equipment, through 2 lain holes 10,2 mm($\pm 0,2$) or 12,2 mm($\pm 0,2$). Maximum suggested tightening torque 5 Nm.

Notes

Pressed steel casing external protection, with black painted finish, available in version VL, with side openings to allow the visibility from both sides.

Avoid contact with alcohol-based solutions, detergents containing alcohol in general, anti-freeze liquids at high temperatures and hot water over 90°C.

New model XL-T/CX made from special resin resistant to fluid containing alcohol and XL-T/RB with floating red ball to improve visibility of the fluid level in case of light coloured liquids.

Package

5 - 50 - 100 pcs.