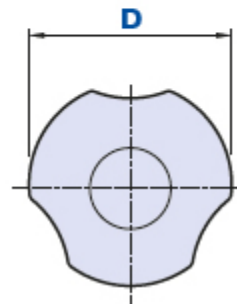
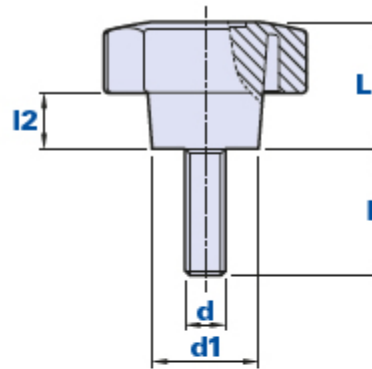


Volant à trois lobes avec tige filetée



Code	Description	Dimensions				Insert		Poids grammes	Stock
		D	L	d1	l2	d	l		
01THP20A10	THP 20 M4x10	20	13	13	5	M4	10	4	√
01THP20A15	THP 20 M4x15	20	13	13	5	M4	15	4	√
01THP20A20	THP 20 M4x20	20	13	13	5	M4	20	5	√
01THP20A25	THP 20 M4x25	20	13	13	5	M4	25	5	√
01THP20B10	THP 20 M5x10	20	13	13	5	M5	10	5	√
01THP20B15	THP 20 M5x15	20	13	13	5	M5	15	6	√
01THP20B20	THP 20 M5x20	20	13	13	5	M5	20	7	√
01THP20B25	THP 20 M5x25	20	13	13	5	M5	25	8	√
01THP20B30	THP 20 M5x30	20	13	13	5	M5	30	8	√
01THP20C10	THP 20 M6x10	20	13	13	5	M6	10	7	√
01THP20C15	THP 20 M6x15	20	13	13	5	M6	15	8	√
01THP20C20	THP 20 M6x20	20	13	13	5	M6	20	9	√
01THP20C25	THP 20 M6x25	20	13	13	5	M6	25	10	√
01THP20C30	THP 20 M6x30	20	13	13	5	M6	30	10	√
01THP20C40	THP 20 M6x40	20	13	13	5	M6	40	11	√
01THP25A10	THP 25 M4x10	25	16	14	6	M4	10	3	√
01THP25A15	THP 25 M4x15	25	16	14	6	M4	15	8	√
01THP25A20	THP 25 M4x20	25	16	14	6	M4	20	8	√
01THP25A25	THP 25 M4x25	25	16	14	6	M4	25	8	√
01THP25B10	THP 25 M5x10	25	16	14	6	M5	10	8	√
01THP25B15	THP 25 M5x15	25	16	14	6	M5	15	9	√

01THP25B20	THP 25 M5x20	25	16	14	6	M5	20	10	√
01THP25B25	THP 25 M5x25	25	16	14	6	M5	25	10	√
01THP25B30	THP 25 M5x30	25	16	14	6	M5	30	10	-
01THP25C10	THP 25 M6x10	25	16	14	6	M6	10	11	√
01THP25C15	THP 25 M6x15	25	16	14	6	M6	15	11	√
01THP25C20	THP 25 M6x20	25	16	14	6	M6	20	12	√
01THP25C25	THP 25 M6x25	25	16	14	6	M6	25	13	√
01THP25C30	THP 25 M6x30	25	16	14	6	M6	30	14	√
01THP25C40	THP 25 M6x40	25	16	14	6	M6	40	14	√
01THP25D10	THP 25 M8x10	25	16	14	6	M8	10	11	-
01THP25D15	THP 25 M8x15	25	16	14	6	M8	15	16	√
01THP25D20	THP 25 M8x20	25	16	14	6	M8	20	19	√
01THP25D25	THP 25 M8x25	25	16	14	6	M8	25	22	√
01THP25D50	THP 25 M8x50	25	16	14	6	M8	50	25	-
01THP30B10	THP 30 M5x10	30	19	17	7	M5	10	12	√
01THP30B15	THP 30 M5x15	30	19	17	7	M5	15	15	√
01THP30B20	THP 30 M5x20	30	19	17	7	M5	20	15	√
01THP30B25	THP 30 M5x25	30	19	17	7	M5	25	15	-
01THP30B30	THP 30 M5x30	30	19	17	7	M5	30	16	√
01THP30B40	THP 30 M5x40	30	19	17	7	M5	40	16	√
01THP30C10	THP 30 M6x10	30	19	17	7	M6	10	14	√
01THP30C15	THP 30 M6x15	30	19	17	7	M6	15	15	√
01THP30C20	THP 30 M6x20	30	19	17	7	M6	20	16	√
01THP30C25	THP 30 M6x25	30	19	17	7	M6	25	18	√
01THP30C30	THP 30 M6x30	30	19	17	7	M6	30	19	√
01THP30C40	THP 30 M6x40	30	19	17	7	M6	40	19	√
01THP30C50	THP 30 M6x50	30	19	17	7	M6	50	19	√
01THP30D10	THP 30 M8x10	30	19	17	7	M8	10	19	√
01THP30D15	THP 30 M8x15	30	19	17	7	M8	15	22	√
01THP30D20	THP 30 M8x20	30	19	17	7	M8	20	23	√
01THP30D25	THP 30 M8x25	30	19	17	7	M8	25	25	√
01THP30D30	THP 30 M8x30	30	19	17	7	M8	30	26	√
01THP30D35	THP 30 M8x35	30	19	17	7	M8	35	27	√
01THP30D40	THP 30 M8x40	30	19	17	7	M8	40	33	√
01THP30D50	THP 30 M8x50	30	19	17	7	M8	50	34	√
01THP30D60	THP 30 M8x60	30	19	17	7	M8	60	35	√
01THP30D70	THP 30 M8x70	30	19	17	7	M8	70	36	√
01THP40C10	THP 40 M6x10	40	25	21	11	M6	10	26	√
01THP40C15	THP 40 M6x15	40	25	21	11	M6	15	26	√
01THP40C20	THP 40 M6x20	40	25	21	11	M6	20	24	√
01THP40C25	THP 40 M6x25	40	25	21	11	M6	25	27	√
01THP40C30	THP 40 M6x30	40	25	21	11	M6	30	28	√
01THP40C35	THP 40 M6x35	40	25	21	11	M6	35	30	√
01THP40C40	THP 40 M6x40	40	25	21	11	M6	40	31	√
01THP40C50	THP 40 M6x50	40	25	21	11	M6	50	35	√
01THP40C75	THP 40 M6x75	40	25	21	11	M6	75	36	√
01THP40D10	THP 40 M8x10	40	25	21	11	M8	10	29	-

01THP40D15	THP 40 M8x15	40	25	21	11	M8	15	29	√
01THP40D20	THP 40 M8x20	40	25	21	11	M8	20	30	√
01THP40D25	THP 40 M8x25	40	25	21	11	M8	25	34	√
01THP40D30	THP 40 M8x30	40	25	21	11	M8	30	37	√
01THP40D35	THP 40 M8x35	40	25	21	11	M8	35	39	√
01THP40D40	THP 40 M8x40	40	25	21	11	M8	40	41	√
01THP40D50	THP 40 M8x50	40	25	21	11	M8	50	43	√
01THP40D60	THP 40 M8x60	40	25	21	11	M8	60	44	√
01THP40E20	THP 40 M10x20	40	25	21	11	M10	20	45	√
01THP40E25	THP 40 M10x25	40	25	21	11	M10	25	48	√
01THP40E30	THP 40 M10x30	40	25	21	11	M10	30	49	√
01THP40E40	THP 40 M10x40	40	25	21	11	M10	40	55	√
01THP40E50	THP 40 M10x50	40	25	21	11	M10	50	56	√
01THP50D15	THP 50 M8x15	50	30	24	13	M8	15	45	√
01THP50D20	THP 50 M8x20	50	30	24	13	M8	20	47	√
01THP50D25	THP 50 M8x25	50	30	24	13	M8	25	48	√
01THP50D30	THP 50 M8x30	50	30	24	13	M8	30	48	√
01THP50D35	THP 50 M8x35	50	30	24	13	M8	35	49	√
01THP50D40	THP 50 M8x40	50	30	24	13	M8	40	52	√
01THP50D45	THP 50 M8x45	50	30	24	13	M8	45	54	√
01THP50D50	THP 50 M8x50	50	30	24	13	M8	50	57	√
01THP50D60	THP 50 M8x60	50	30	24	13	M8	60	59	√
01THP50E15	THP 50 M10x15	50	30	24	13	M10	15	56	-
01THP50E20	THP 50 M10x20	50	30	24	13	M10	20	57	√
01THP50E25	THP 50 M10x25	50	30	24	13	M10	25	60	√
01THP50E30	THP 50 M10x30	50	30	24	13	M10	30	62	√
01THP50E35	THP 50 M10x35	50	30	24	13	M10	35	64	√
01THP50E40	THP 50 M10x40	50	30	24	13	M10	40	66	√
01THP50E45	THP 50 M10x45	50	30	24	13	M10	45	70	-
01THP50E50	THP 50 M10x50	50	30	24	13	M10	50	72	√
01THP50E60	THP 50 M10x60	50	30	24	13	M10	60	75	√
01THP50E70	THP 50 M10x70	50	30	24	13	M10	70	80	-
01THP50E75	THP 50 M10x75	50	30	24	13	M10	75	82	-
01THP50F20	THP 50 M12x20	50	30	24	13	M12	20	70	√
01THP50F25	THP 50 M12x25	50	30	24	13	M12	25	70	√
01THP50F30	THP 50 M12x30	50	30	24	13	M12	30	70	√
01THP50F40	THP 50 M12x40	50	30	24	13	M12	40	80	-
01THP50F50	THP 50 M12x50	50	30	24	13	M12	50	85	√
01THP50F60	THP 50 M12x60	50	30	24	13	M12	60	90	-
01THP60D15	THP 60 M8x15	60	38	28	17	M8	15	79	-
01THP60D20	THP 60 M8x20	60	38	28	17	M8	20	80	-
01THP60D25	THP 60 M8x25	60	38	28	17	M8	25	80	√
01THP60D30	THP 60 M8x30	60	38	28	17	M8	30	85	√
01THP60D35	THP 60 M8x35	60	38	28	17	M8	35	88	√
01THP60D40	THP 60 M8x40	60	38	28	17	M8	40	90	√
01THP60D50	THP 60 M8x50	60	38	28	17	M8	50	100	√

01THP60D60	THP 60 M8x60	60	38	28	17	M8	60	150	√
01THP60E20	THP 60 M10x20	60	38	28	17	M10	20	90	√
01THP60E25	THP 60 M10x25	60	38	28	17	M10	25	93	√
01THP60E30	THP 60 M10x30	60	38	28	17	M10	30	95	√
01THP60E40	THP 60 M10x40	60	38	28	17	M10	40	101	√
01THP60E50	THP 60 M10x50	60	38	28	17	M10	50	102	√
01THP60E60	THP 60 M10x60	60	38	28	17	M10	60	104	√
01THP60F25	THP 60 M12x25	60	38	28	17	M12	25	107	√
01THP60F30	THP 60 M12x30	60	38	28	17	M12	30	108	√
01THP60F35	THP 60 M12x35	60	38	28	17	M12	35	115	√
01THP60F40	THP 60 M12x40	60	38	28	17	M12	40	120	√
01THP60F50	THP 60 M12x50	60	38	28	17	M12	50	130	√
01THP60F60	THP 60 M12x60	60	38	28	17	M12	60	135	-
01THP60F70	THP 60 M12x70	60	38	28	17	M12	70	140	√
01THP60N25	THP 60 M14x25	60	38	28	17	M14	25	135	-
01THP60N30	THP 60 M14x30	60	38	28	17	M14	30	138	-
01THP60N40	THP 60 M14x40	60	38	28	17	M14	40	145	-
01THP60N50	THP 60 M14x50	60	38	28	17	M14	50	150	-
01THP60N60	THP 60 M14x60	60	38	28	17	M14	60	180	-
01THP60N70	THP 60 M14x70	60	38	28	17	M14	70	200	-
01THP80E30	THP 80 M10x30	80	39	30	17	M10	30	110	√
01THP80F20	THP 80 M12x20	80	39	30	17	M12	20	110	√
01THP80F30	THP 80 M12x30	80	39	30	17	M12	30	115	-
01THP80F40	THP 80 M12x40	80	39	30	17	M12	40	120	-
01THP80F50	THP 80 M12x50	80	39	30	17	M12	50	131	-
01THP80N30	THP 80 M14x30	80	39	30	17	M14	30	100	-
01THP80N40	THP 80 M14x40	80	39	30	17	M14	40	120	-
01THP80N50	THP 80 M14x50	80	39	30	17	M14	50	130	-
01THP80P30	THP 80 M16x30	80	39	30	17	M16	30	140	-
01THP80P40	THP 80 M16x40	80	39	30	17	M16	40	160	-
01THP80P50	THP 80 M16x50	80	39	30	17	M16	50	180	-

Matériau

Technopolymère à base polyamidique (PA). Résistant aux substances chimiques organiques et inorganiques telles que les huiles, les graisses, les carburants et les solvants.

Couleur

Noir avec finition satinée. D'autres couleurs pour des quantités appropriées.

Insert

Acier galvanisé. Inserts spéciaux selon le dessin et/ou en laiton à la demande pour des quantités appropriées.

Notes

Personnalisation avec logo et/ou graphique, pour des quantités appropriées.

Emballage

THP 20/25/30/40: 25 - 100 - 200 pièces.

THP 50/60/80: 10 - 50 - 100 pièces.

